
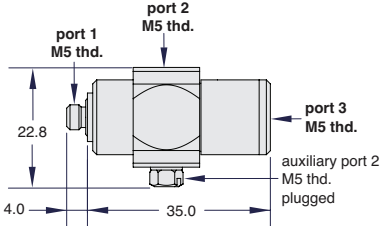

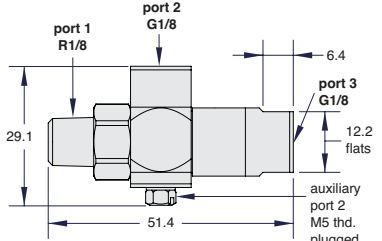



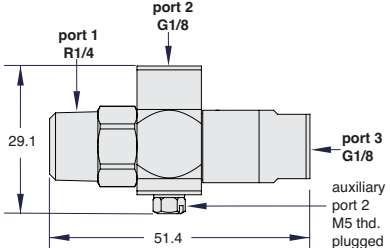
## Pilot-Operated Check Valves

M5 Ports	
	

Part No.
M-JPC-2NLN

R 1/8 Inlet Port	
	

Part No.
M-JPC-3FPF*

R 1/4 Inlet Port	
	

Part No.
M-JPC-3FQF*

\*Also available in corrosion-resistant materials. Add "CR-" to the beginning of the Part No.